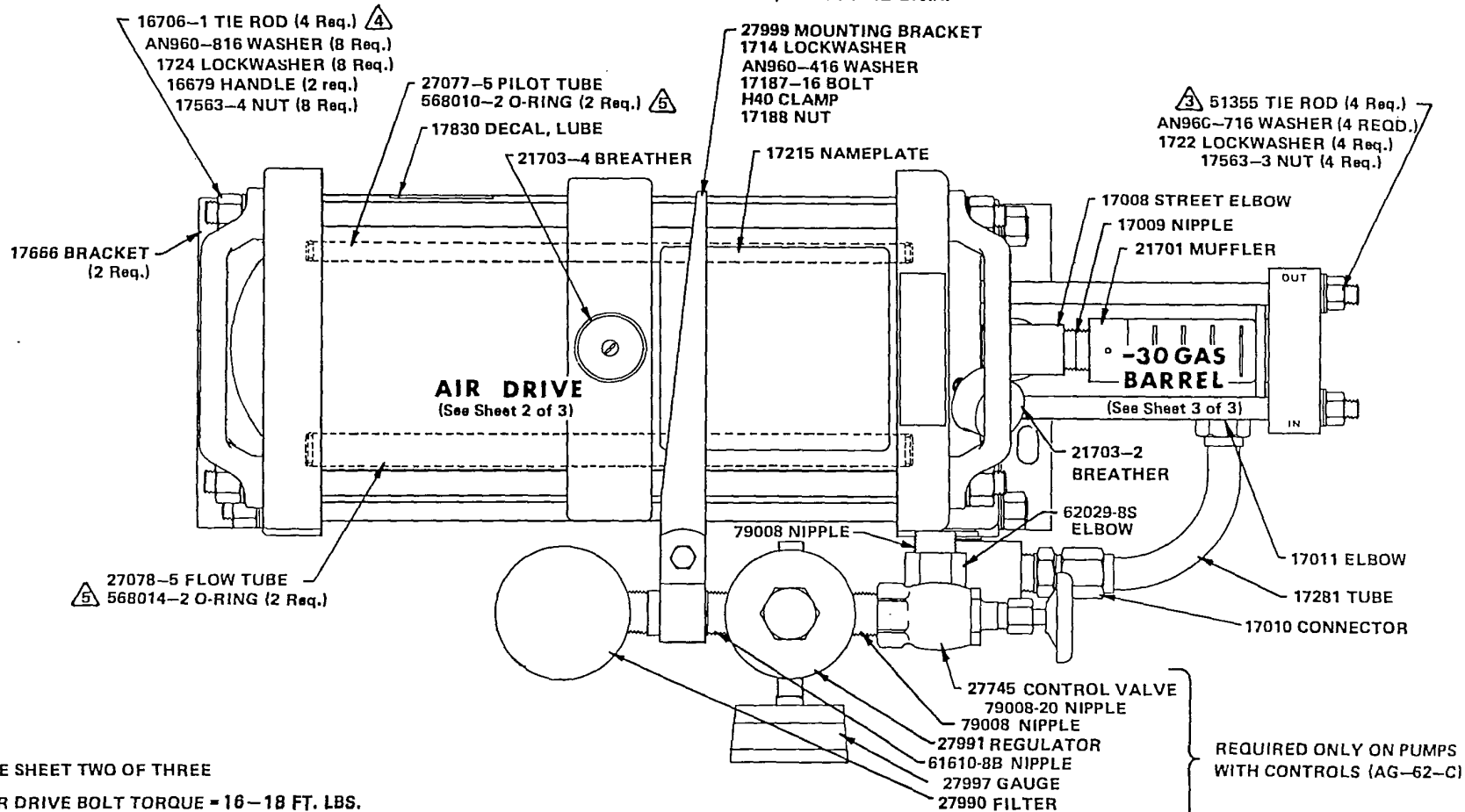


Haskel

INCORPORATED

100 E. Graham Place — Burbank, Calif. 91502 U.S.A.



- ⁵ SEE SHEET TWO OF THREE
- ⁴ AIR DRIVE BOLT TORQUE = 16-18 FT. LBS.
- ³ GAS BARREL TIE ROD TORQUE = 15 FT. LBS.
2. FOR INSTALLATION DIMENSIONS SEE DWG. 17272
1. ALL PARTS (1) REQ. UNLESS SHOWN IN PARENTHESES.

NOTES:

PARTS LIST AG-62

© Copyright 1966

17265

Sheet 1 of 3

Revision J 9/89