



Dive Xtras
18108 Dayton Av N
Shoreline, WA, 98133
Tel: 206 778 7328
Fax: 206 542 1611

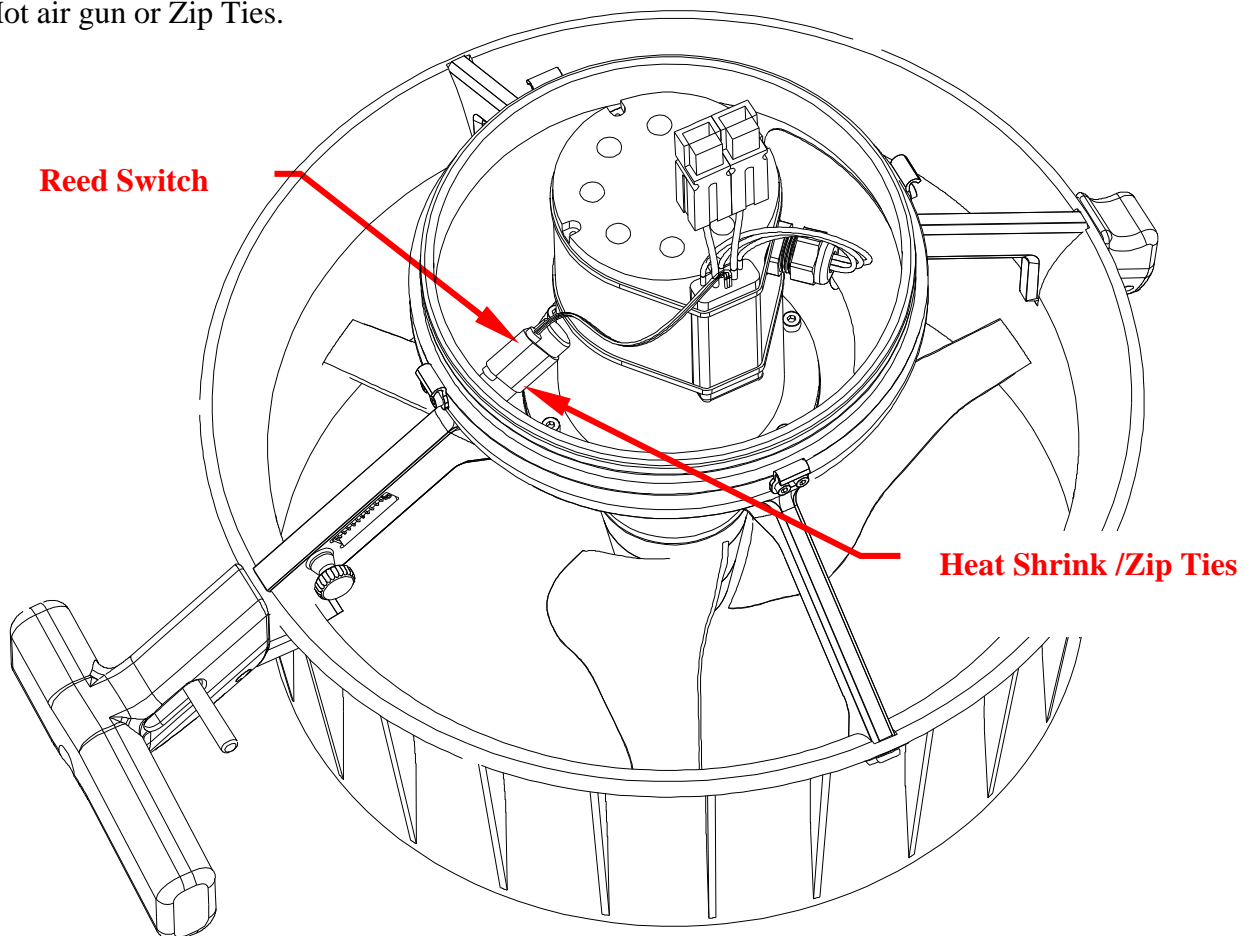
PRODUCT MODIFICATION
X SCOOTER
TRIGGER ADJUSTMENT

As you pull on the trigger it moves a magnet inside which operates a reed switch. The reed switch then turns the scooter on and off. It may happen that the range of motion of the trigger does not operate the reed switch at the correct positions
The most common occurrence of this is happens when you pull back on the trigger, the scooter turns on, as you continue to pull on the trigger it turns off again.

The fix is very simple requiring only a small change in the position of the reed switch.

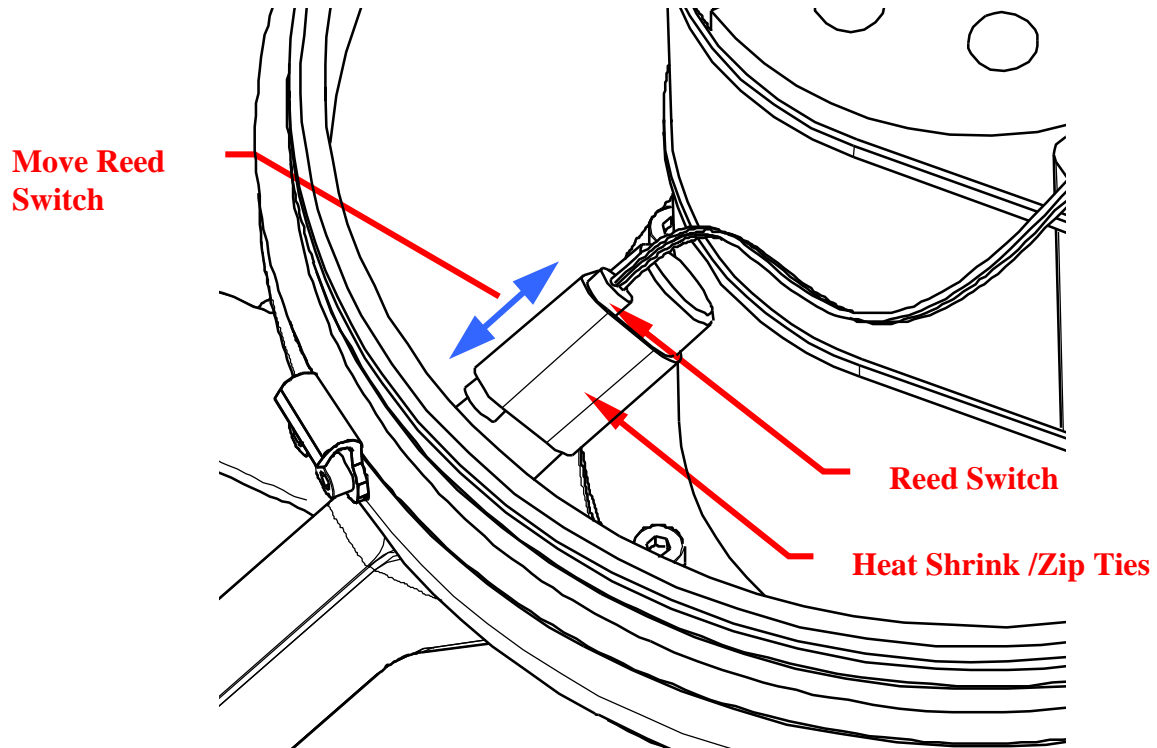
Tools required

Hot air gun or Zip Ties.



Step 1

Open the scooter and sit the tail, shroud down, in a good working position. Connect the battery so that the scooter will operate.



Step 2

The Reed switch is held in place with Heat shrink or Zip ties.

Heat Shrink: Warm up the heat shrink until it is possible to move the reed switch. Move the reed switch until the scooter operates as desired. Let the heat shrink cool and lock the reed switch in its new position.

Zip Ties: If the ties have enough play, move the reed switch until the scooter operates as desired. If they are too tight, Remove and replace loosely until the reed is in position, then tighten.

Contingency

If the heat shrink splits or you are unable to move the reed to the desired position. Use two small zip ties to hold the reed in place.