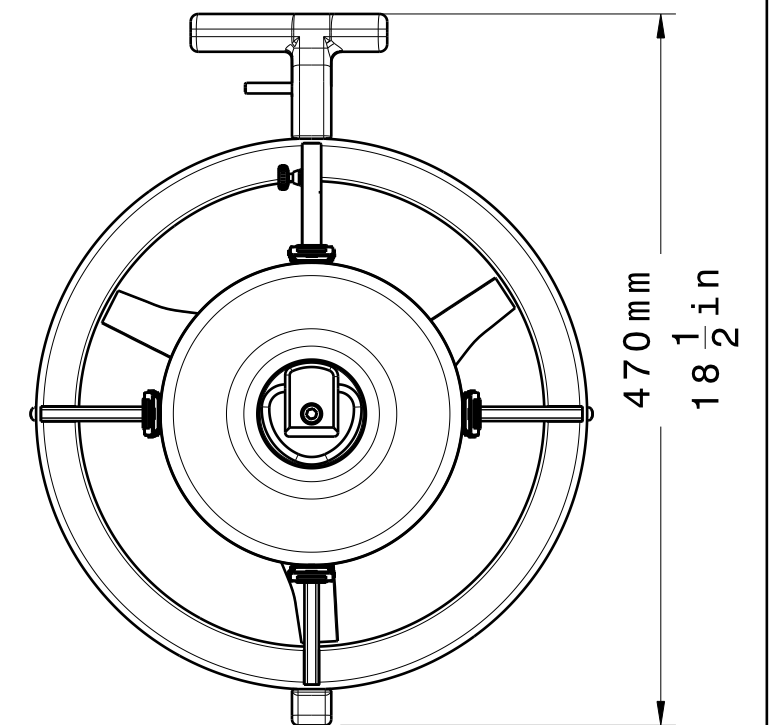
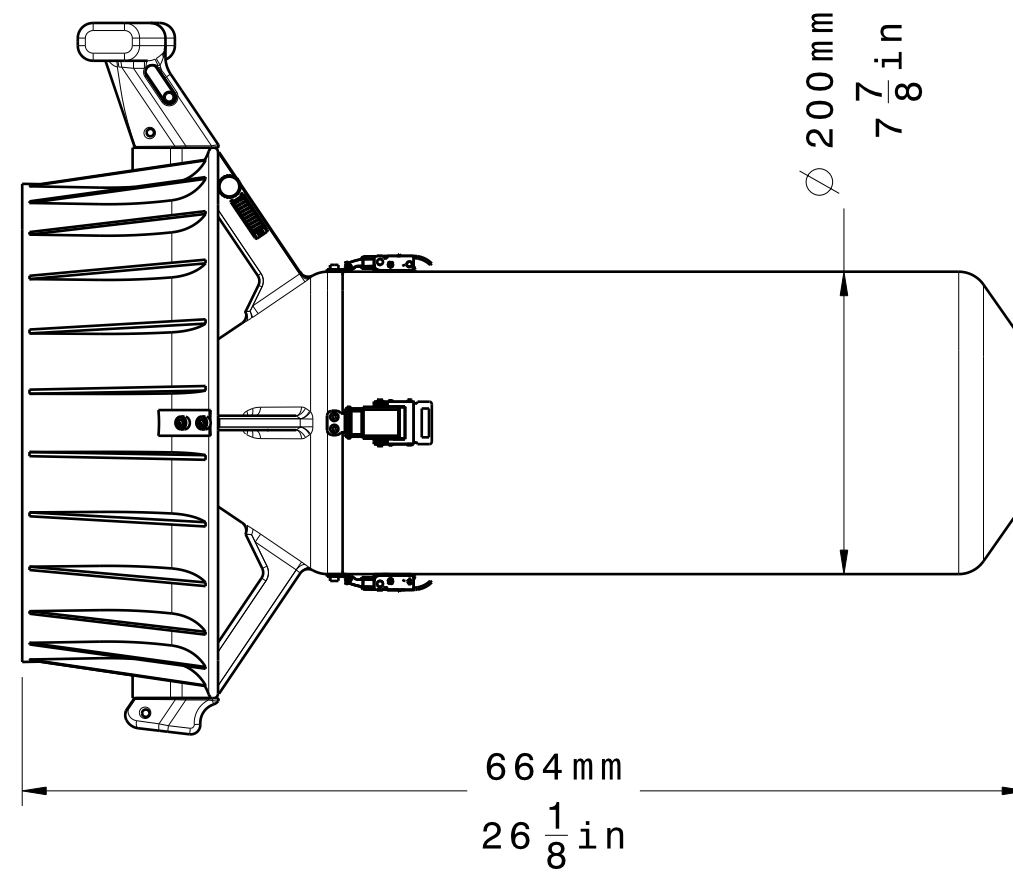
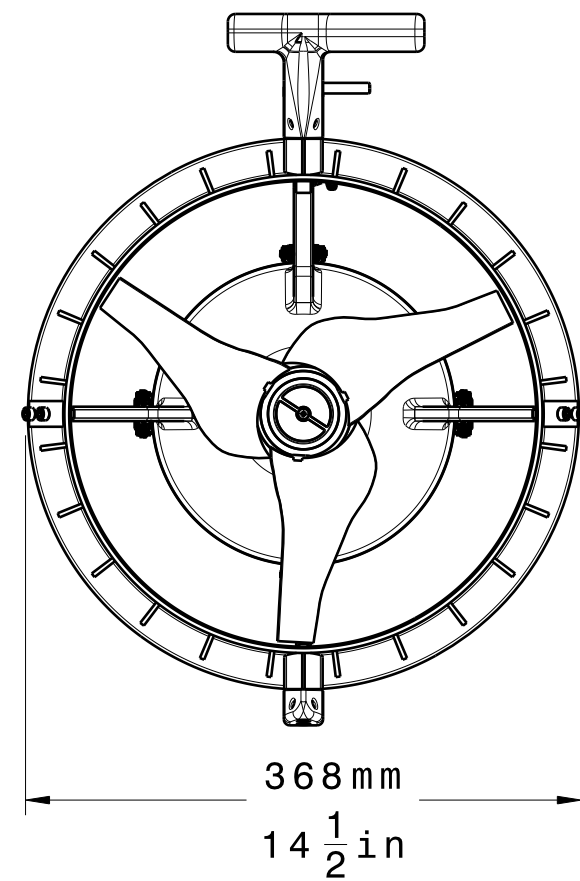
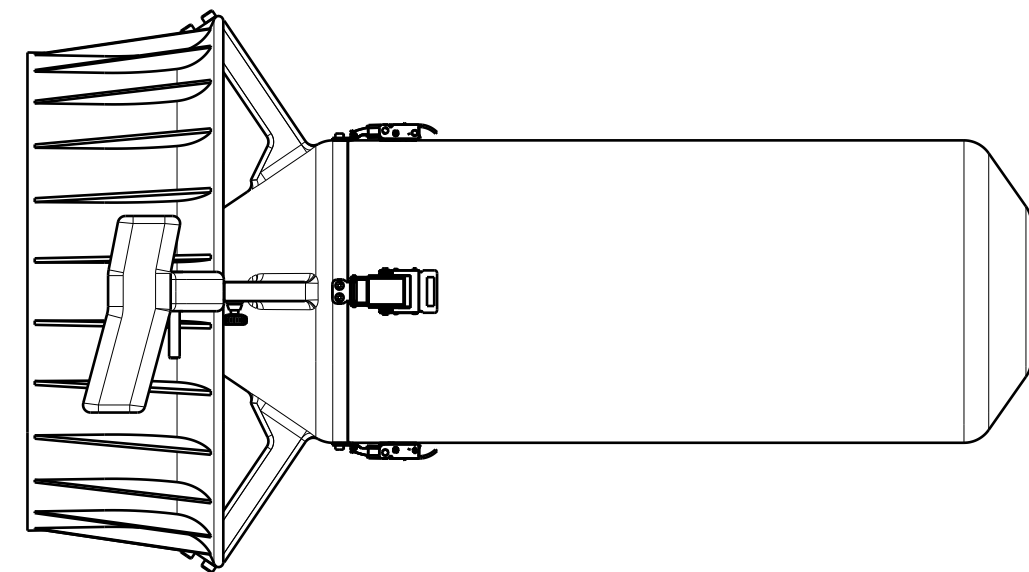
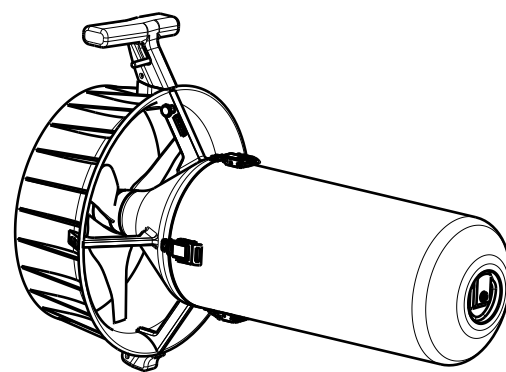


Rev.	Description	Date
1	New Release	XX-XX-XX



Weight: 35 lbs
16 kg



diveX © DIVE XTRAS 2004 ALL RIGHTS RESERVED
 THIS DOCUMENT IS SUPPLIED IN CONFIDENCE. NO REPRODUCTION OF THE DOCUMENT OR ANY PART OF IT OR OF THE ITEMS SHOWN THEREON MAY BE MADE WITHOUT THE COPYRIGHT OWNERS WRITTEN PERMISSION.

THIRD ANGLE PROJECTION

All dimensions are in mm.
Deburr & Break all sharp edges

Engineer:

X Scooter Standard Body

Drawing No:	Rev	Sheet
INFO	1	1